

# Vistas 1

Nombre alumno/a:

curso:

Diagram illustrating the orthographic views of a stepped block. The views shown are:

- alzado* (Front view): A 2x2 grid with the top-right cell missing.
- perfil* (Side view): A 2x2 grid with a horizontal line across the middle.
- planta* (Top view): A 2x2 grid with a vertical line on the right side.

**Ejemplo**

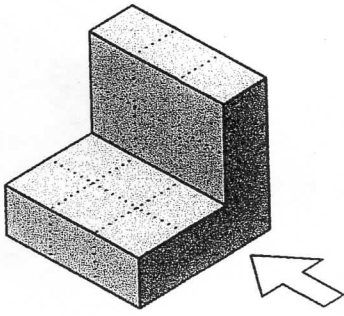


Diagram illustrating the orthographic views of a stepped block with a notch. The views shown are:

- alzado* (Front view): A 3x3 grid.
- perfil* (Side view): A 3x3 grid.
- planta* (Top view): A 3x3 grid.

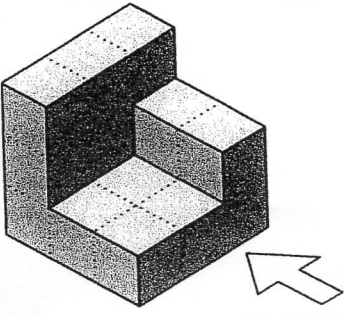


Diagram illustrating the orthographic views of a stepped block. The views shown are:

- alzado* (Front view): A 3x3 grid.
- perfil* (Side view): A 3x3 grid.
- planta* (Top view): A 3x3 grid.

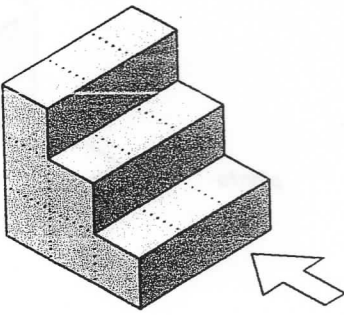


Diagram illustrating the orthographic views of a stepped block with a notch. The views shown are:

- alzado* (Front view): A 3x3 grid.
- perfil* (Side view): A 3x3 grid.
- planta* (Top view): A 3x3 grid.

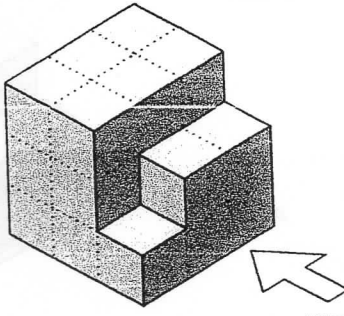


Diagram illustrating the orthographic views of a stepped block with a notch. The views shown are:

- alzado* (Front view): A 3x3 grid.
- perfil* (Side view): A 3x3 grid.
- planta* (Top view): A 3x3 grid.

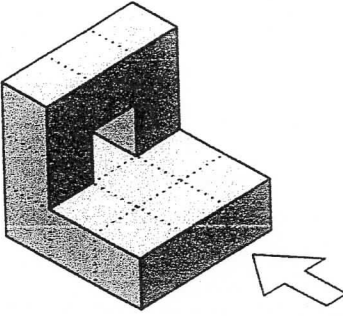
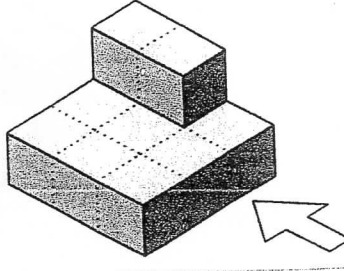


Diagram illustrating the orthographic views of a stepped block. The views shown are:

- alzado* (Front view): A 3x3 grid.
- perfil* (Side view): A 3x3 grid.
- planta* (Top view): A 3x3 grid.



# Vistas 2

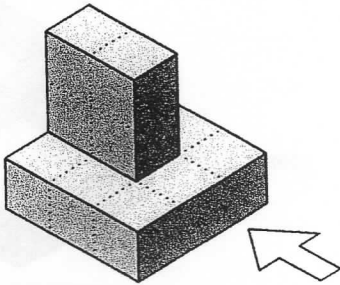
Nombre alumno/a:

curso:

alzado

perfil

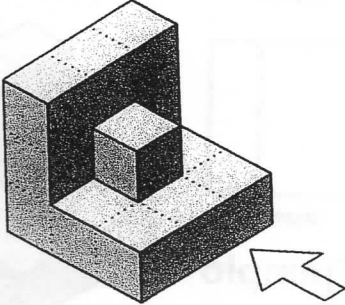
planta



alzado

perfil

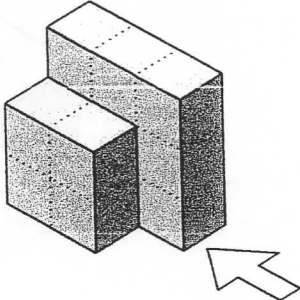
planta



alzado

perfil

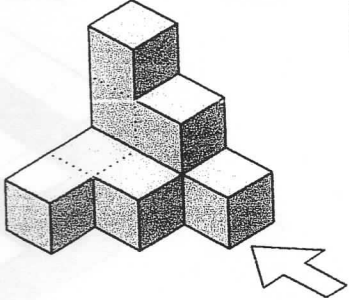
planta



alzado

perfil

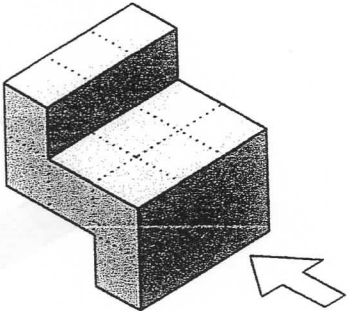
planta



alzado

perfil

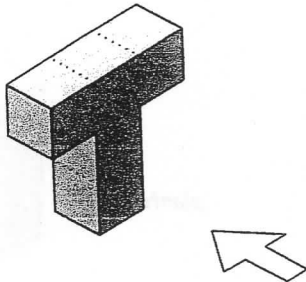
planta



alzado

perfil

planta



# Vistas 3

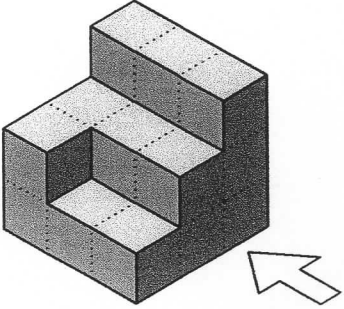
Nombre alumno/a:

curso:

alzado

perfil

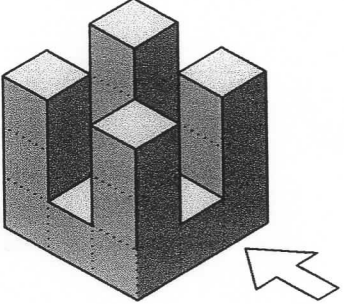
planta



alzado

perfil

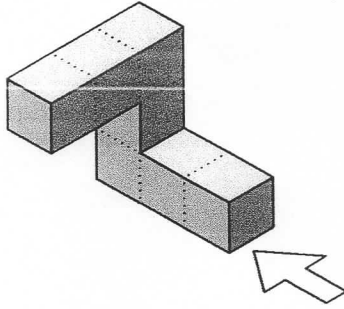
planta



alzado

perfil

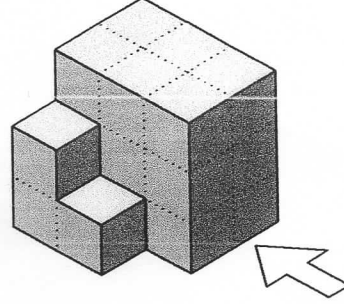
planta



alzado

perfil

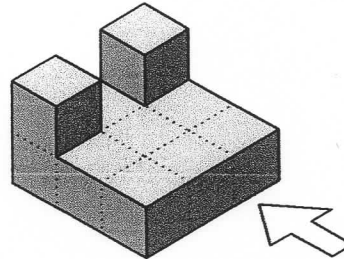
planta



alzado

perfil

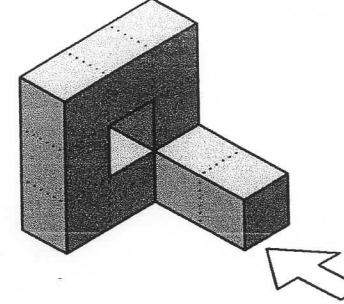
planta



alzado

perfil

planta



# Vistas 4

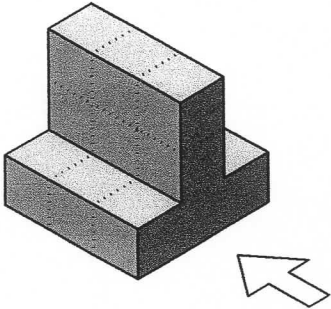
Nombre alumno/a:

curso:

alzado

perfil

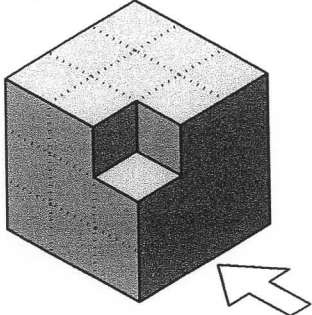
planta



alzado

perfil

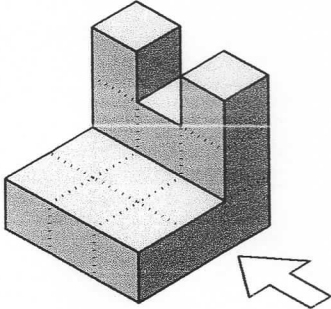
planta



alzado

perfil

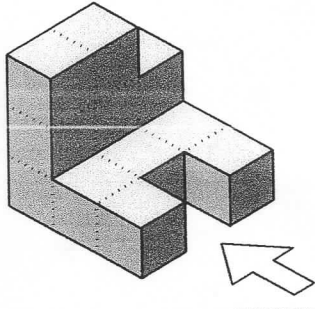
planta



alzado

perfil

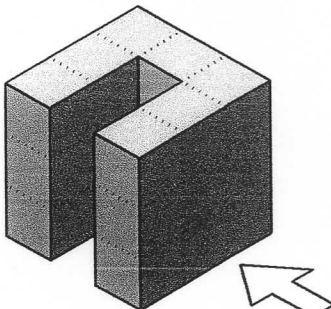
planta



alzado

perfil

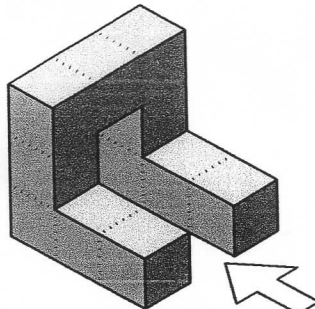
planta

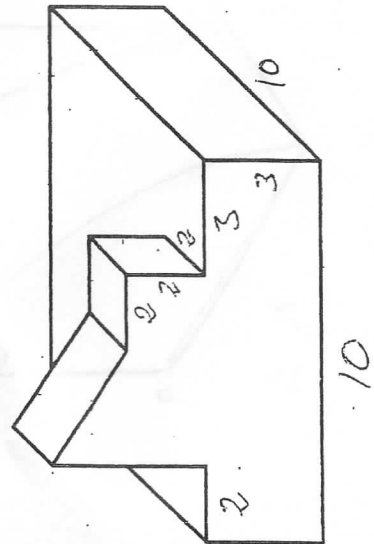
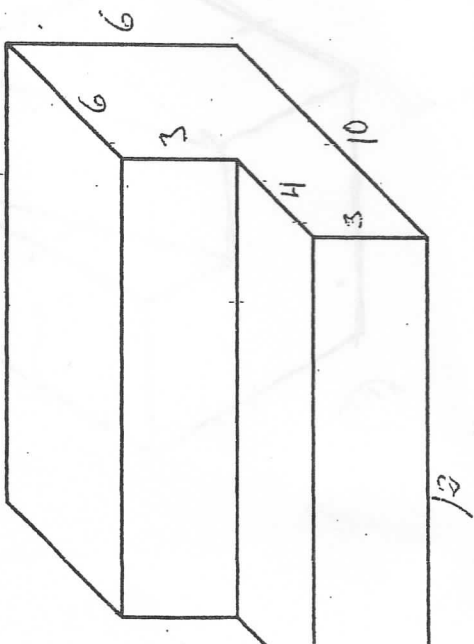
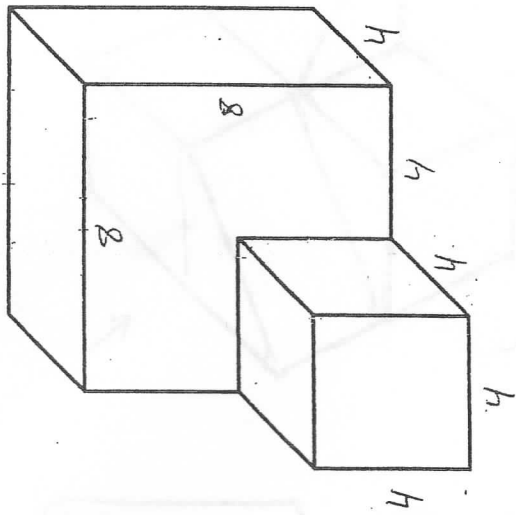
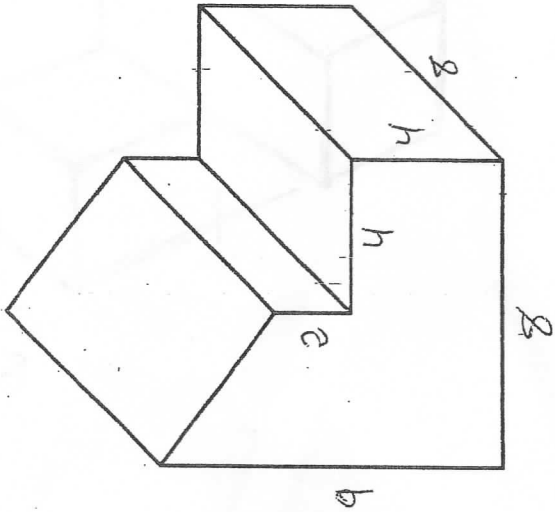
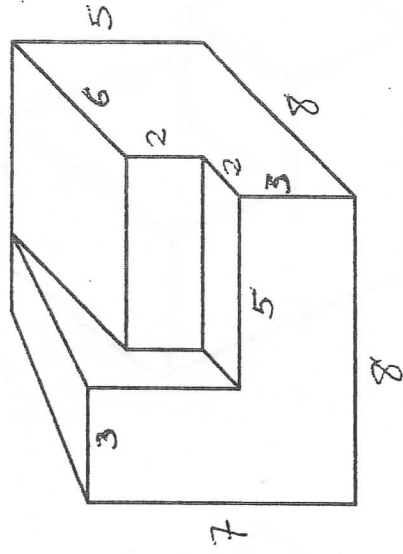
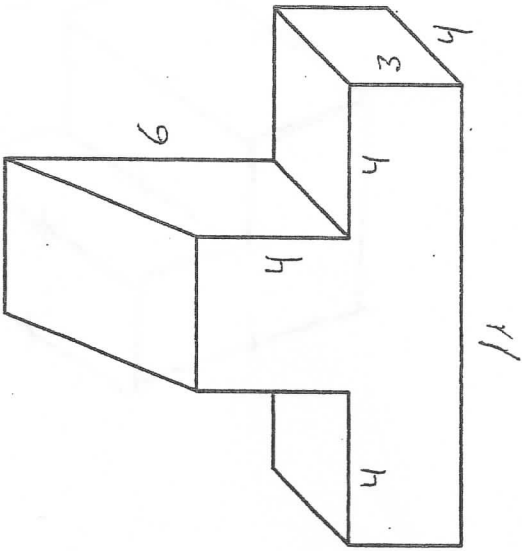


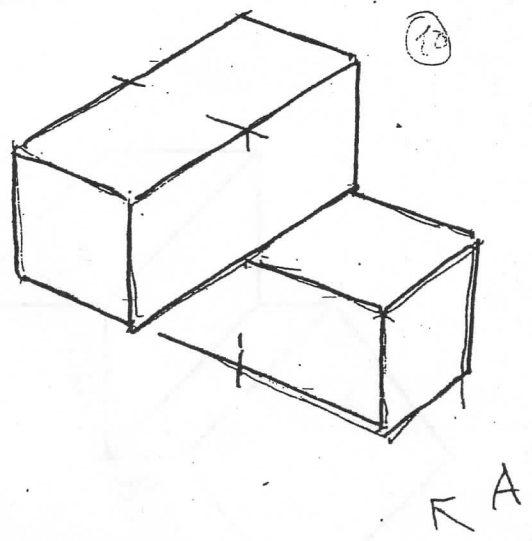
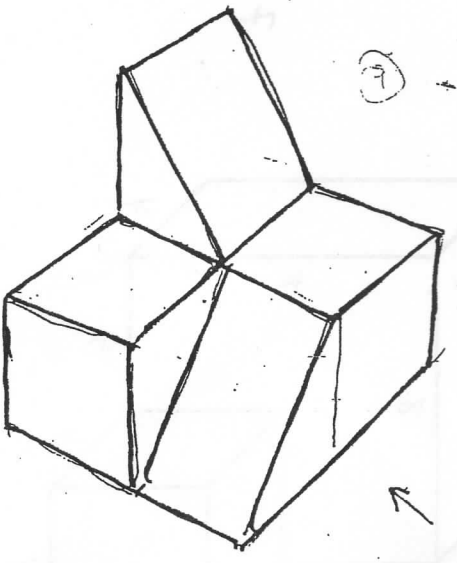
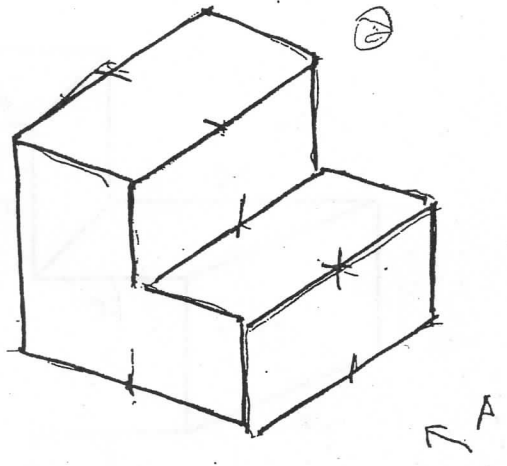
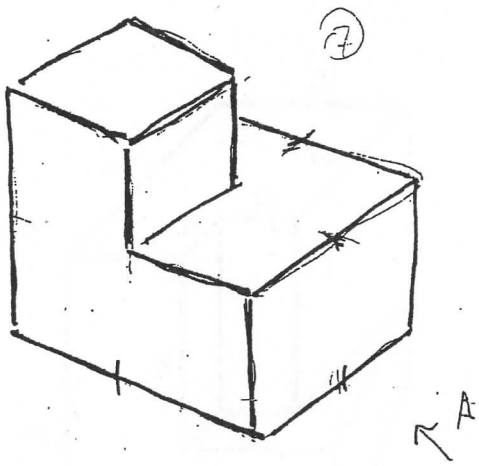
alzado

perfil

planta







*1/4 da circunferencia*

